

# ThermaEco ZZ Tube

Thermal Insulation Thermaflex®

Fully recyclable product for Thermal Insulation, made of directly extruded closed-cell polyethylene foam.

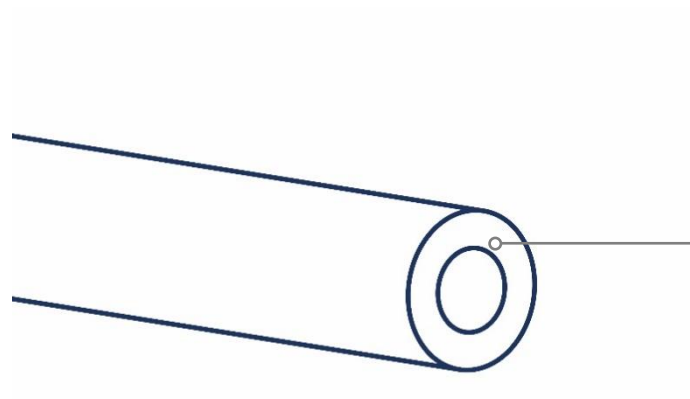


## Benefits

- Affordable insulation
- Consistent performance – durable insulation material

## Application

- Heating and plumbing system – energy conservation



### Construction

**Polyethylene foam**  
durable insulating material



#### Disclaimer

All recommendations and information provided on this data sheet are based on our knowledge and experience. Product specifications are intended as guidelines. Since conditions of service are beyond our control, users must satisfy themselves that products are suitable for the intended use. No guarantee or warranty is given or implied or that any use of the products will not infringe rights belonging to other parties. We reserve the right to change product design and properties without notification.

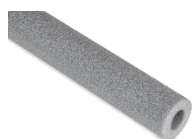


## Technical Properties

Properties	SI unit	Value	Test method
<b>Physical properties</b>			
Tolerances		Compatible	EN 14313
Density (foam)	kg/m <sup>3</sup>	18-25	-
Structure	-	Closed cells	-
Color	-	Grey	-
<b>Thermal properties</b>			
Max. operating temperature	°C	+95	EN 14707
Thermal conductivity coefficient (λ)	W/m·K	0.040 @ 20°C 0.042 @ 40°C	EN ISO 8497
<b>Fire properties</b>			
SBI classification	-	E <sub>L</sub>	EN 13501-1
<b>Water resistance properties</b>			
Water absorption	-	0.05	EN 13472

## Availability

- Standard product length 2m (198-204cm), packed in a cardboard box (205x60x40cm)
- Version: with cut



Tube Insulation			
Carrier Pipe Ø max. [mm]	Tube Insulation Ø [mm]	Insulation Wall thickness [mm]	
		6 (5.0-6.5)	9 (8.0-10.0)
12	13.0-14.5	3020-006012-020	3020-009012-020
15	16.5-17.5	3020-006015-020	3020-009015-020
18	19.0-20.5	3020-006018-020	3020-009018-020
20	21.0-23.0	3020-006020-020	3020-009020-020
22	23.5-24.5	3020-006022-020	3020-009022-020
25	26.0-28.0	3020-006025-020	3020-009025-020
28	29.5-31.0	3020-006028-020	3020-009028-020
32	34.5-36.0		3020-009032-020
35	37.0-38.5	3020-006035-020	3020-009035-020
42	44.0-46.0		3020-009042-020
48	51.0-52.5		3020-009048-020



Carrier Pipe $\varnothing$ max. [mm]	Tube Insulation $\varnothing$ [mm]	Insulation Wall thickness [mm]	
		6 (5.0-6.5)	9 (8.0-10.0)
54	56.0-58.0		3020-009054-020
60	62.0-64.0		3020-009060-020
63	65.0-67.0		3020-009063-020
76	78.5-80.5		3020-009076-020



3-Elements elbow		
Service Pipe $\varnothing$ max. [mm]	Tube Insulation $\varnothing$ [mm]	Insulation Wall thickness [mm]
		9 (8.0-10.0)
15	16.5-17.5	3520-009015-032
18	19.0-20.5	3520-009018-032
22	23.5-24.5	3520-009022-032
28	29.5-31.0	3520-009028-032
35	37.0-38.5	3520-009035-032
42	44.0-46.0	3520-009042-032
48	51.0-52.5	3520-009048-032
54	56.0-58.0	3520-009054-032
63	65.0-67.0	3520-009063-032
76	78.5-80.5	3520-009076-032