

Pipe clamp

Pipe clamp system for single and double lines OD25-63mm for pre-insulated piping system Flexalen® 600

Application Instruction

Application conditions and pipe preparation

- Ambient temperature: +5 to +40°C
- Service pipe is free from dirt and condensation.
- Connected indoor pipe installation must be anchored as well.



Required Tools

Screw wrench and/or adjustable spanner wrench



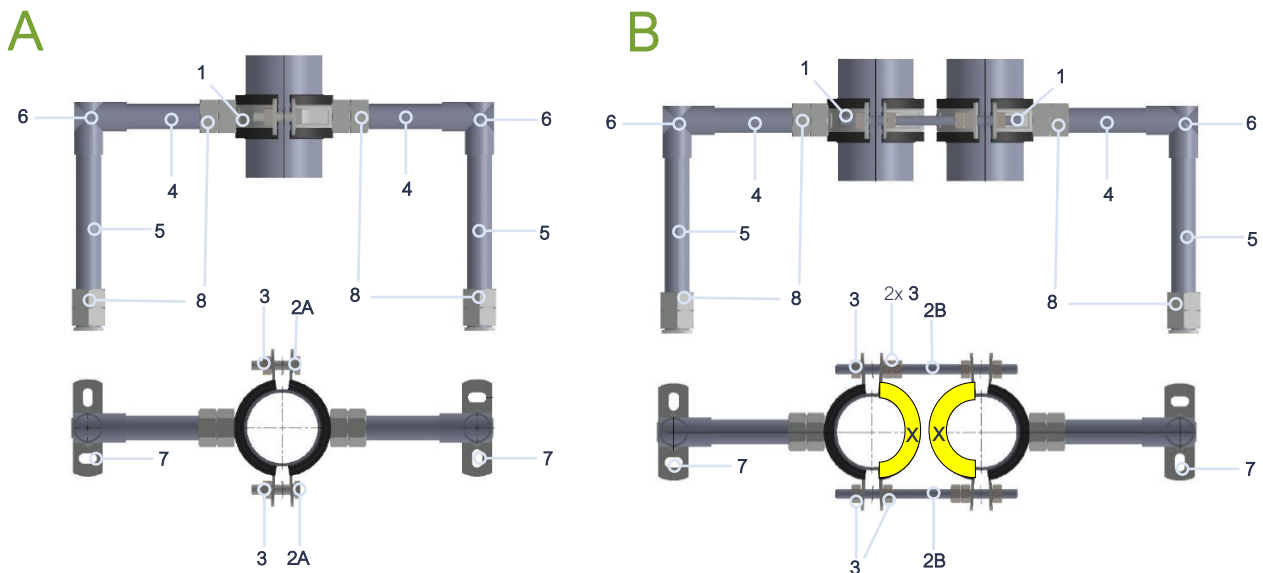
Cleaner



Tissues

Design

- Assemble all parts according to the images. (A) for single pipes (B) for double pipes. See next page.
- Mount base plates with proper fixation material for the relevant wall type (Fixation material not included).



1: Pipe clamp with EPDM inlay 1/2" (2x); remove X for single clamp use **A**.

2A: Bolt M8 (2x)

2B: Stud Bolt M8 (2x)

3: Hexagon Nut M8 (10x) [A: 2x B: 10x]

4: Steel pipe galvanized short G1/2" (2x); put 4 into the elbow 6 entirely before installing 5.

5: Steel pipe galvanized long G1/2" (2x)

6: Knee 90° G1/2" (2x)

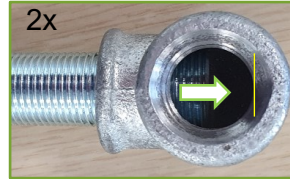
7: Galvanized base plate G1/2" (2x)

8: Hexagon Nut G1/2" (4x)

Disclaimer

All recommendations and information provided on this data sheet are based on our knowledge and experience. Product specifications are intended as guidelines. Since conditions of service are beyond our control, users must satisfy themselves that products are suitable for the intended use. No guarantee or warranty is given or implied or that any use of products will not infringe rights belonging to other parties. We reserve the right to change product design and properties without notification.

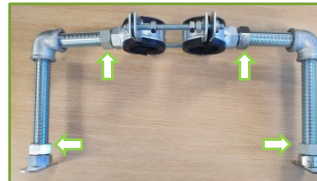
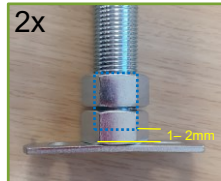
Assembly



01.
Assemble the clamp for single (A) or double line use and place (parts 1, 2 and 3)

02.
Screw part 4 into part 6 as far as possible

03.
Screw part 5 into the other side of part 6 and tighten



04.
Place tightening nuts (8)

05.
Screw part 5 into wall mount loosely and screw part 4 into clamp nut loosely. Leave space of 1 - 2mm.

06.
Assemble all parts as shown and tighten the 4 tightening nuts (8) as indicated in above picture.