

Pipe clamp

Pipe clamp system for single lines OD75-110mm for pre-insulated piping system Flexalen® 600

Application Instruction

Application conditions and pipe preparation

- Ambient temperature: +5 to +40°C
- Service pipe is free from dirt and condensation.
- Connected indoor pipe installation must be anchored as well.



Required Tools

Screw wrench and/or adjustable spanner wrench



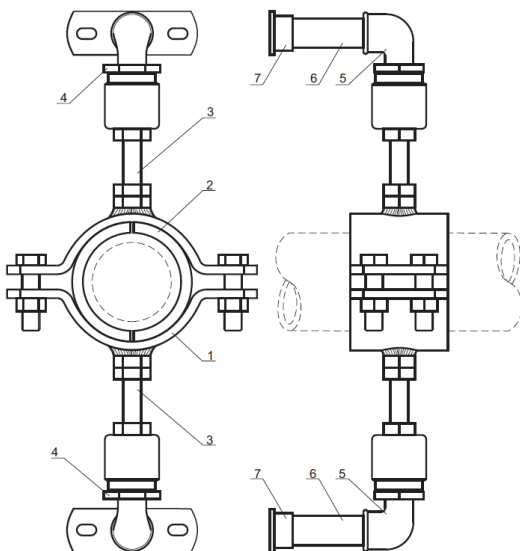
Cleaner



Tissues

Design

- Assemble all parts according the images.
- Mount base plates with proper fixation material for the relevant wall type (Fixation material not included).



- 1: Pipe clamp galvanized (1x)
- 2: PB half shells (2x); d125 = special bond sheet
- 3: Adapter M20x5/4" (2x)
- 4: Reduction 5/4" MT x 3/4" FT, galvanized (2x)
- 5: Knee 90° 3/4", galvanized (2x)
- 6: Pipe nipple 3/4" MT, galvanized, L=100 mm (2x)
- 7: Galvanized base plate 3/4" (2x)

Disclaimer

All recommendations and information provided on this data sheet are based on our knowledge and experience. Product specifications are intended as guidelines. Since conditions of service are beyond our control, users must satisfy themselves that products are suitable for the intended use. No guarantee or warranty is given or implied or that any use of products will not infringe rights belonging to other parties. We reserve the right to change product design and properties without notification.